

Clarifire®



DESK MOUNTED MAGNIFYING LED LAMP MODEL NO: SAM170A

PART NO: 5460539

ASSEMBLY & USER INSTRUCTIONS



ORIGINAL INSTRUCTIONS

GC-0923

INTRODUCTION

Thank you for purchasing your CLARKE magnifying lamp, which is ideal for fine detail assembly and repair work, stamp collectors, model makers, jewellers, etc.



This product is designed for indoor use only.

Before using this product, read this leaflet thoroughly, and follow the instructions carefully. Although the product is robust it should nevertheless be used with care and consideration, you can then look forward to it giving long and reliable service.

GUARANTEE

This product is guaranteed against faulty manufacture for a period of 12 months from the date of purchase. Please keep your receipt which will be required as proof of purchase.

This guarantee is invalid if the product is found to have been abused or tampered with in any way, or not used for the purpose for which it was intended.

Faulty goods should be returned to their place of purchase, no product can be returned to us without prior permission.

This guarantee does not effect your statutory rights.

ENVIRONMENTAL RECYCLING POLICY



Through purchase of this product, the customer is taking on the obligation to deal with the WEEE in accordance with the WEEE regulations in relation to the treatment, recycling & recovery and environmentally sound disposal of the WEEE.

In effect, this means that this product must not be disposed of with general household waste. It must be disposed of according to the laws governing Waste Electrical and Electronic Equipment (WEEE) at a recognised disposal facility.

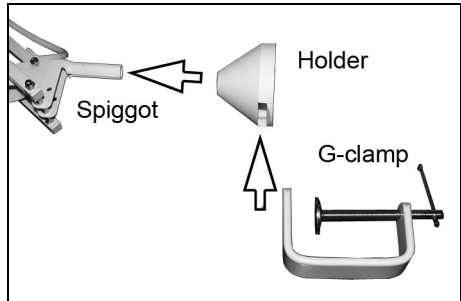
ASSEMBLY AND OPERATION

ASSEMBLY

Your lamp is supplied in three parts:-

- The lamp assembly with adjustable arms
- The G- clamp
- The holder

Slide the G-clamp into the slot in the side of the holder, then slide the lamp assembly spigot into the holder.



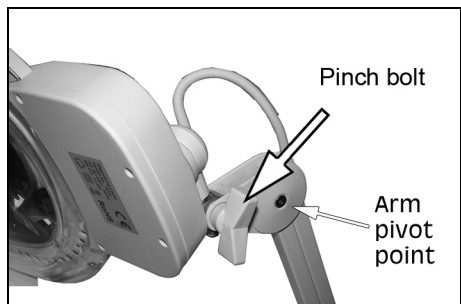
Plug the power adaptor into a mains power supply and connect the adaptor to the lamp unit.

SETTING UP

The G-clamp can be mounted on surfaces with varying angles and such variations can be accommodated by the angulation of the lamp assembly.

The lamp may be rotated freely in the holder by slackening the pinch bolt, adjusting the angle and re-tightening and the arms can be set at any angle.

DO NOT over tighten the pinch bolt. When it is correctly tightened, the lamp should remain stable in any position.



MAINTENANCE

The lamp requires no maintenance other than cleaning the lens. Liquid glass cleaner may be used to clean the lens, used sparingly and with a soft dry cloth. DO NOT allow the LEDs or electrical connections to get wet.

IMPORTANT: ALWAYS switch the lamp OFF and unplug from the power supply before cleaning the lens.

1. When not in use, switch off & unplug from the power supply.
2. This product should be stored in a secure, dry place, out of the reach of children. DO NOT leave it exposed to the elements and avoid direct sunlight, direct heat, rain/moisture etc.

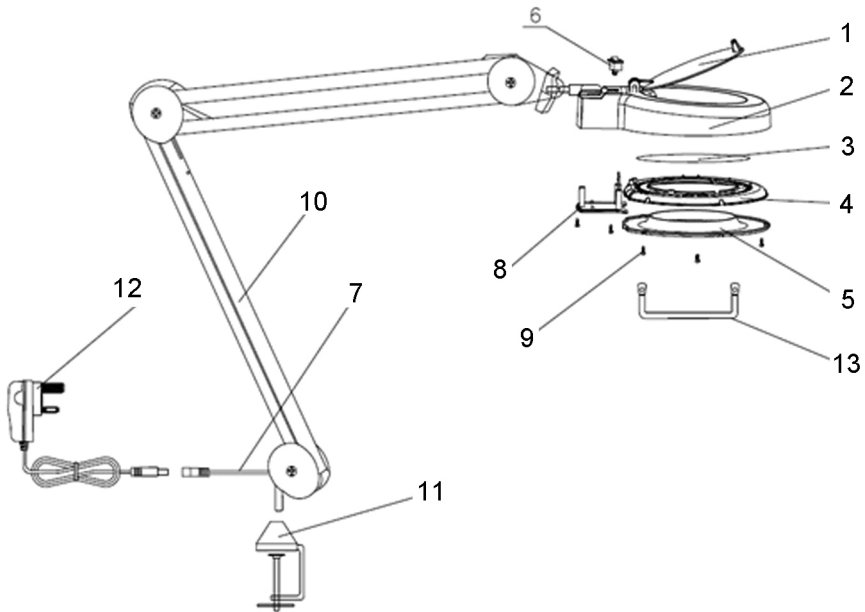
3. Keep the external surfaces clean. Avoid impact damage & DO NOT allow this product to come into contact with abrasive or corrosive materials.
4. DO NOT use solvents, thinners or alcohol for cleaning, as these chemicals will damage the finish. With the lamp unplugged from the power supply, use a dry cloth to wipe over the lamp components.
5. Only use extension leads that are of an appropriate power rating and suitable for the work environment. Inspect the extension lead regularly and replace if damaged.
6. Only use parts and accessories recommended in this manual. NEVER use unauthorised accessories or attachments which may result in personal injury or damage to the product.

DO NOT attempt to repair or modify this product or attempt any electrical repair yourself. Consult a qualified electrician.

SPECIFICATIONS

Upper/lower arm length	500/ 473 mm
Weight	3.25 kg
Operating Temperature	0-40°C
Duty Cycle	S1 (continuous)
Rated Input power	12.5 W
Power Supply	230V @50Hz /12V adaptor
Insulation Class	Lamp class III / charger class II
IP Rating	IP20
Efficiency Class	G
Efficiency	82 Lm/W
Luminance	10600 lux @15 cm
Luminous flux	700 Lm
Colour temperature	6300K
Weighted energy consumption	13 kWh/1000h
Life expectancy of LED	30,000 hours

COMPONENT PARTS



Item No	Description	Qty
1	Lens Cover	1
2	Plastic Head Housing	1
3	LED (5") -3D	1
4	LED Board	2
5	Diffuser	1
6	On/Off Switch	1
7	Cable with DC connector	1
8	Plastic Back Cover	1
9	Screws	12
10	A3- 4bar Swing Arm Assembly	1
11	G- clamp	1
12	Power adaptor with cable	1
13	Handle	1

DECLARATION OF CONFORMITY - UK



Hemnal Street, Epping, Essex, CM16 4LG

DECLARATION OF CONFORMITY

This is an important document and should be retained.

We hereby declare that this product(s) complies with the following legislation:

The Electromagnetic Compatibility Regulations 2016

The Electrical Equipment (Safety) Regulations 2016

The Restriction of the Use of Certain Hazardous Substances in Electrical and Electronic Equipment Regulations 2012

The following standards have been applied to the product(s):

EN IEC 55015:2019/A11:2020, EN IEC 61000-3-2:2019, EN 61000-3-3:2013/A1:2019, EN 61000-3-2:2014,

EN 61000-3-3:2013, EN 61547:2009, EN 55015:2013/A1:2015, EN 61347-1:2015, EN 62493:2015,

EN 61347-2-13:2014/A1:2017, IEC 62321-3-1:2013, IEC 62321-4:2013, IEC 62321-4:2013, IEC 62321-6:2015,

IEC 62321-4:2013/AMD1:2017, IEC 62321-7-1:2015, IEC 62321-7-2:2017, IEC 62321-8:2017, EN 14372:2004

The technical documentation required to demonstrate that the product(s) meet(s) the requirement(s) of the aforementioned legislation has been compiled and is available for inspection by the relevant enforcement authorities.

The UKCA mark was first applied in: 2023

Product Description: LED Desk Light
Model Number(s): SAM170A
Serial/Batch Number: Refer to product/package label
Date of Issue: 08/09/2023

Signed:

J.A Clarke

Director

DECLARATION OF CONFORMITY - CE



Fitzwilliam Hall, Fitzwilliam Place, Dublin 2

DECLARATION OF CONFORMITY

This is an important document and should be retained.

We hereby declare that this product(s) complies with the following legislation:

2014/30/EU	<i>Electromagnetic Compatibility Directive</i>
2014/35/EU	<i>Low Voltage Directive</i>
2011/65/EU	<i>Restriction of Hazardous Substances (RoHS) Directive</i>

The following standards have been applied to the product(s):

EN IEC 55015:2019/A11:2020, EN IEC 61000-3-2:2019, EN 61000-3-3:2013/A1:2019, EN 61000-3-2:2014, EN 61000-3-3:2013, EN 61547:2009, EN 55015:2013/A1:2015, EN 61347-1:2015, EN 62493:2015, EN 61347-2-13:2014/A1:2017, IEC 62321-3-1:2013, IEC 62321-4:2013, IEC 62321-4:2013, IEC 62321-6:2015, IEC 62321-4:2013/AMD1:2017, IEC 62321-7-1:2015, IEC 62321-7-2:2017, IEC 62321-8:2017, EN 14372:2004

The technical documentation required to demonstrate that the product(s) meet(s) the requirement(s) of the aforementioned legislation has been compiled and is available for inspection by the relevant enforcement authorities.

The CE mark was first applied in: 2023

Product Description:	LED Desk Light
Model Number(s):	SAM170A
Serial/Batch Number:	Refer to product/packaging label
Date of Issue:	08/09/2023

Signed:

J.A Clarke
Director

A SELECTION FROM THE VAST RANGE OF

Clarke®

QUALITY PRODUCTS



AIR COMPRESSORS
From DIY to industrial, Plus air tools, spray guns and accessories.

GENERATORS
Prime duty or emergency standby for business, home and leisure.

POWER WASHERS
Hot and cold, electric and engine driven - we have what you need

WELDERS
Mig, Arc, Tig and Spot.
From DIY to auto/industrial.

METALWORKING
Drills, grinders and saws for DIY and professional use.

WOODWORKING
Saws, sanders, lathes, mortisers and dust extraction.

HYDRAULICS
Cranes, body repair kits, transmission jacks for all types of workshop use.

WATER PUMPS
Submersible, electric and engine driven for DIY, agriculture and industry.

POWER TOOLS
Angle grinders, cordless drill sets, saws and sanders.

STARTERS/CHARGERS
All sizes for car and commercial use.

PARTS & SERVICE: 0208 988 7400

Parts Enquiries
Parts@clarkeinternational.com

Servicing & Technical Enquiries
Service@clarkeinternational.com

SALES: UK 01992 565333 or Export 00 44 (0)1992 565335

Clarke INTERNATIONAL Hemnall Street, Epping, Essex CM16 4LG
www.clarkeinternational.com